



HID-DynaVision (Xtreme) for CDM Elite MW - Xtreme drivers for maximum energy savings

DynaVision (Xtreme) for CDM Elite MW

Highly reliable and flexible electronic drivers for medium-wattage lamps; designed to save energy via integrated controls, and to reduce maintenance costs thanks to 80,000-hour lifetime and integrated lightning protection. The DynaVision DALI product family is the perfect basis for any sort of lighting management solution.

Benefits

- Enables 2-way communication with the lighting network (via DALI)
- Up to 40% energy saving due to the integrated dimming options and very high driver efficiency
- Minimizes maintenance cost due to the Xtreme lifetime of 80,000 hours and integrated lightning protection

Features

- Controllable and programmable by means of standard digital interface (DALI)
- Integrates several control options (DynaDimmer, LineSwitch, Constant Light Output)
- Xtreme long lifetime of 80,000 hours with minimum 90% survival at $T_c = 80^\circ\text{C}$
- Xtreme lightning protection 10 kV/5 kA
- Accurate lamp power stabilization of 95-97% over wide mains-voltage range of 180-300 V

Application

- High-bay retail
- Industrial lighting

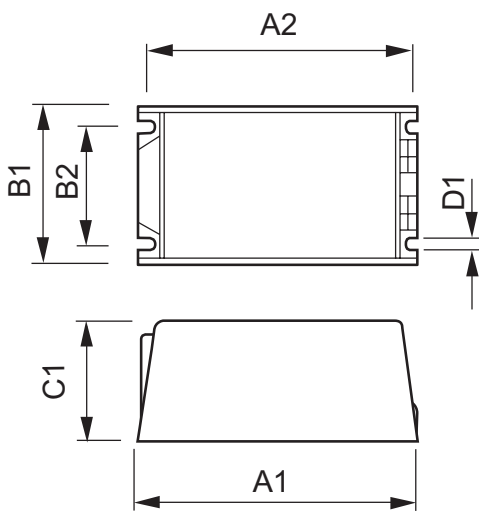
- City beautification

Related products



DV DALI Xt 210 CDMe

Dimensional drawing

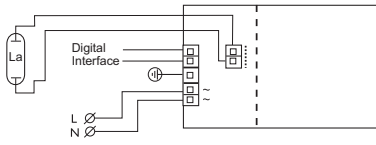


Product	A1 (Norm)	A2 (Norm)	B1 (Norm)	B2 (Norm)	C1 (Norm)	D1 (Norm)
DV DALI Xt 210 CDMe	169.0	156.0	100.0	81.5	58.0	4.9

General Characteristics

Order code	Full product name	Interface	Rated Number of Lamps	Housing	Rated Lamptype	Applica-tion code	Line Voltage	Line Frequency	Rated Ballast-Lamp Power
913700665366	DV DALI Xt 210 CDMe 208-277V 50/60Hz	DALI	2	169x100x58	CDMe	-	208-277	50/60	210

Wiring data



© 2011 Koninklijke Philips Electronics N.V.
All rights reserved.

Specifications are subject to change without notice. Trademarks are the property of Koninklijke Philips Electronics N.V. or their respective owners.

www.philips.com/lighting

2011, November 23
data subject to change