

sigma III 600W

LED

Technical Specification

Water and shock protected LED fixture for heavy duty hi-mast applications in hot and corrosive atmospheres. Powder coated high purity aluminum body. Built in lens protection. Extra low glare/light pollution (as per EU Night Sky Directive). Bracket included. Dimming (1-10V). LED cards and drivers easily replaceable. Suitable for marine environment. Protected against sand and UV for extra long life.

Use areas

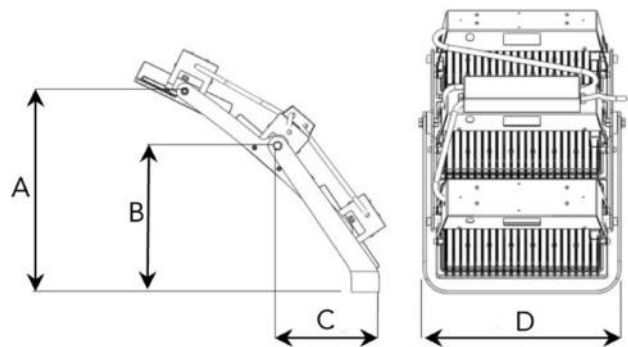
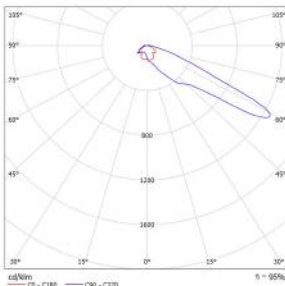
Hi-masts (20m-50m), Arena lighting and Sport lighting.

Technical Data

Mains (input) voltage	200 - 240 VAC, 50-60Hz
Total weight	28 kg: fixture + integrated drivers
Form of protection	IP 65, C5M/I corrosion resistance
Vibration resistance	3G during extended periods
Wind speed design	55 m/s (Hurricane class)
Temp. tolerance	+50°C to -40°C
Color temperature	5 000°K
Color rendering	CRI 70+
Lumen output	77 625lm (luminaire lumen output)
Energy consumption	624 W (including driver)
Lumen efficiency	124lm/system W
LED life exp.	100 000h+ to L80
Light-sources	Philips LED
Start time	1 sec. to maximum lumen output
Drivers	3x 200W dimmable (1-10V),
Protective cover	UV proof, sand proof (hardened glass)

Product number

297-500-30 SIGMA III 600W FS3



A 652 B 394 C 275 D 456 (mm)