



## Technical Specification

Streetlight for ceramic metal halide (CDM/HID). Powder coated aluminum body. Tool-less maintenance. Membrane valves against moisture. Freely adjustable pole mount for 60mm and 40mm poles. Use of Patented Lens system gives choice of 3 rectangular light patterns to cover different distances between poles: short, standard and long (up to double standard). 3 Wattages: 35, 70 and 100.

## Applications

Can be used for all streetlight applications by combination of different lenses and wattages. 35W is suitable 4-8m poles, 70W for 8-10m poles and 100W for 10-12m poles. Will replace 125W-250W mercury and 70W-250W HPS.

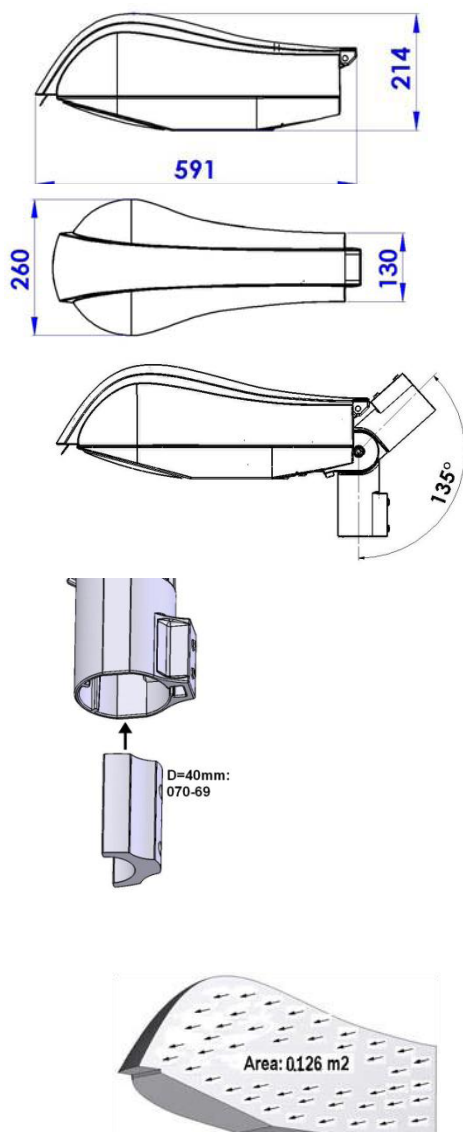
Suitable for all climates including corrosive environments such as sea-side roads and locations.

## Technical Data

Mains (input) voltage	220-240 V
Total weight	6,5 kg
Form of protection	IP 66, class I
Temp. tolerance	+50°C to -30°C
Color temperature	4 200 ° K
Color rendering	Ra 90+
Lumen efficiency	90-115 lumen/Watt.
LOR	0.7-0.9 depending on optics.
Light-source life exp.	15 000-20 000 hours.
Lamp type	CDM-T 35W, 70W or 100W
Operating position	Universal
Lamp seat	G12
Energy consumption	44 W, 82W or 109W
Start time	Ca. 3 minutes to full lumen output
Ballast	Internal Electronic ballast
Safety glass	Included (prismatic lens).
Reflector	Anodized aluminum, parabolic
Light dissemination	Several rectangular light pictures depending on use (90° to 155° dissemination). Contact us for light calculations or light data to use in calculation programs.

## Order number:

C03569, C035314F, C035315 (35W)  
 C07069, C070314F, C070315 (70W)  
 C10069, C100314F, C100315 (100W)



VIS Visual Indicating System