



### Technical Specification

Water and vibration protected LED street fixture for heavy duty applications such as busy highways in seaside or dirty environment. Powder coated aluminum body. Multi-mounting suitable for any pole angle. Electronic ballast in separate water safe compartment. The luminaire is equipped with dual ballasts allowing phase control in two steps, this provides increased reliability and 50% dimming. SELF (Safety Extra Low Voltage ballasts).

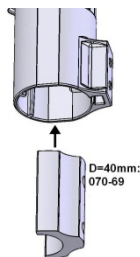
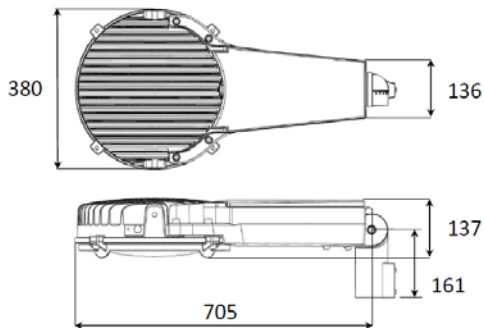
Built in lens protection. Multiple rectangular light pictures via patented prismatic hardened glass lens system. Lens system also reduces glare and increases energy savings.

### Use areas

Motorway bridges, highways, main streets, roundabouts, etc. Contact us for light calculations or light data to use in calculation programs.

120W is suitable as replacement 250W SON-T

220W is suitable as replacement of 400W-600W SON-T



### Technical Data

Mains (input) voltage	220 - 240 VAC
Total weight	14 kg
Form of protection	IP 66, class I
Temp. tolerance	+50° C to -40° C
Color temperature	4 200 K
Color rendering	Ra 75+
Lumen output	Minimum 8000/15500 when +50C.
LED life exp.	60 000 hours L80, TM21
Lamp type	LED individual chips
Operating position	Universal
Energy consumption	120 W or 220 W
Start time	Instant
Ballast	Electronic ballast in body.
Safety glass	Included (prismatic lens)
Light dissemination	Several rectangular light pictures depending on use

### Product number

MX120692, MX120314 (120W)

MX220692, MX220314 (230W)